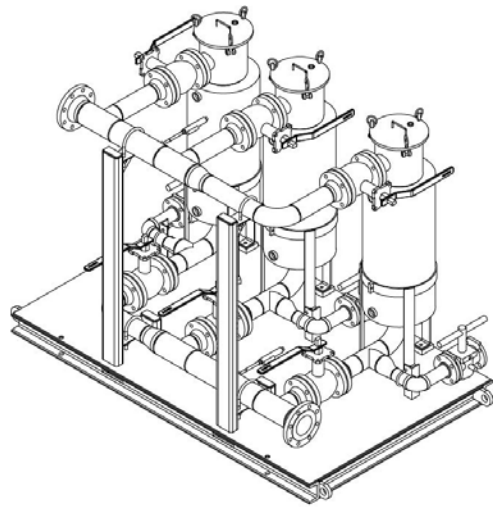


Blower Packages



High Pressure Coolant and Filter Packages



Local Support with a Global Presence



FUREY FILTER & PUMP, INC.

N117 W19237 Fulton Dr.
Germantown, WI 53022

Process Skid Fabrication

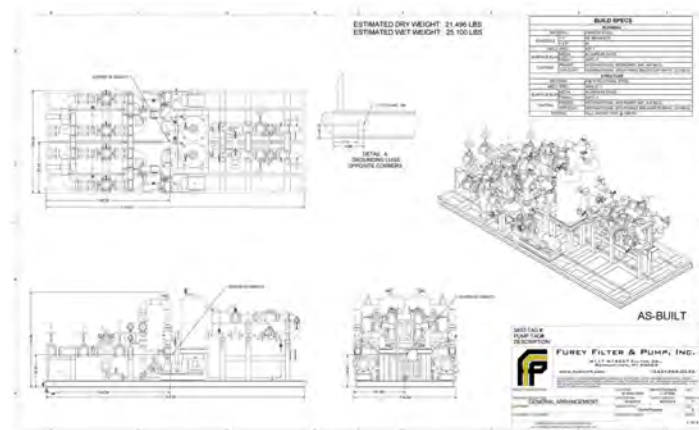
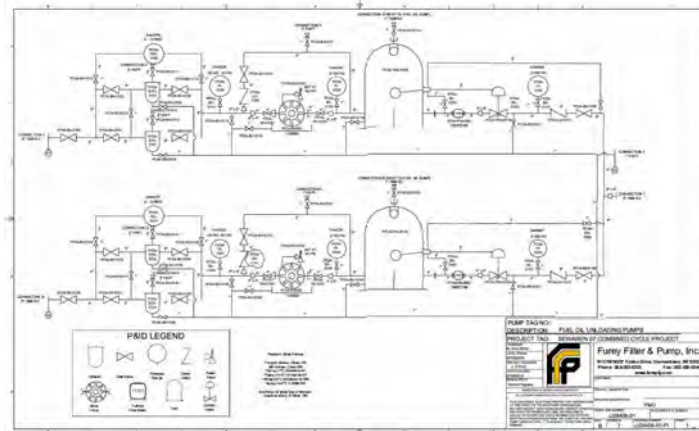


Design, Fabrication, and Assembly of Fluid Handling Systems

- System and Component Integration
- Interpretation of Customer Design Requirements
- ISO 9001:2008
- AutoCad Inventor 3D CAD Software
- 80,000 Sq. Ft. Manufacturing/Repair Area
- ASME B31.1/B31.3 Specifications
- API 1104
- AWS D1.1 Structural Welding Code -Steel
- AWS D1.6 Structural Welding -Stainless Steel
- ASME Aluminum Certification
- Pipe Welding Certification for Carbon Steel, 304 and 316 Stainless Steel, Alloy 20, Hastelloy C, per ASME

Fabrication Equipment Includes:

- (2) 20 Ton, (3) 10 Ton, (4) 5 Ton, (1) 1 Ton Overhead Cranes (50 Ton Maximum Lifting Capacity)
- (5) 1 Ton Jib Cranes
- (1) 32' x 18' x 14' High Blast Booth
- (1) Side Draft Paint Booth
- (1) Marvel Mark II Vertical Band Saw
- (3) Miller PipeWorx Welding Machines
- (4) TIG Welding Machines
- (10) MIG/Flux Core Welding Machines
- (1) Portable Generator Arc Welder
- (3) Oxy-Acetylene Torches
- (2) Plasma Cutting Machines
- (3) Pipe Beveling Machines
- (9) Weld Positioner
- (2) Wegener Plastic Welding Machines
- (1) HYTORC Hydraulic Torque Machine
- (1) 55 Ton Iron Worker
- (2) Horizontal Lathes
- (2) Milling Machines
- (2) Radial Arm Drill Press
- (1) Olympus PMI Gun
- (1) Hydrotest Station with Calibrated Gauges and Chart Recorder
- (1) 400A Motor Starter



Onsite Assembly vs. Modular Design

Benefits of a modular system design:

- One contract with single source responsibility
- Consolidation of submittal's
- Reduces engineering time needed
- More efficient assembly in shop.
- Eliminates pipe stress.
- Pre-aligned
- Better quality control (surface prep & coating)
- Pre-shipment customer checkout
- Easy hookup with single connection for inlet, outlet, & electrical.
- Reduces onsite installation costs



Power Generation Skid



Chemical Feed Skid

